

Medical

Here is our selection of chairs and armchairs totally designed for medical environments.

Equipped with our suspension system, our models ensure a comfort perfectly adapted to your needs. Armchairs, row seats, ergonomic chairs, stools.. this is definitely where you will find what you need!

LIVE BETTER



- ERGONOMIC ✓
- EXECUTIVE ✓
- CONFERENCE ROOM ✓
- MULTI-PURPOSE ✓
- LOUNGE AND ✓
- WAITING ROOM ✓
- INTENSIVE USE ✓
- BARIATRIC ✓

Multi-purpose and waiting room



Ergo-medic
Adjustable backrest
EC-H-4-75C (armchair)
EC-O-4-C (Ottoman)



Mars 1.0
Optional sealed stitches
2 and 3 seats available
MH1-SG

Connect
Zest folding seat
BZ-2-BZT-SX-BZU



Connect
Viva seat
BM-3-BMT-SX-BVI-L-B27



Finesse
Bariatric optional
Capacity 500 lbs
FI-4-50BL-SX



Arriva
Black, dark gray or white
stackable
AV-4-50BL-SX

Miniflex
With or without armrests
stackable
MX-2S-52-SX



Cat
bariatric
Capacity 500 lbs
Regular format available
CB-4-52-SX



Ergonomic



Top
Multiple adjustments

TP-H-T-01L-SW



Everest
For plus size
Capacity 500 lbs

EV-H-B-SS-96G-SW

Top
Adjustable low backrest

TP-L-T-27-SW



Viva
Multiple adjustments

VI-H-F-SS-96-SW



Laboratory



Lab
Upholstered seat

TB-O-120-SW



Desire
Upholstered
seat + backrest

DR-L-200-SW



Med
Thoracic support

HS-200-SW
SD-200-SW



Lab
Sit stand

HS-200-SW
SD-200-SW

Polyurethane
stool

LB-L-E-200-SW

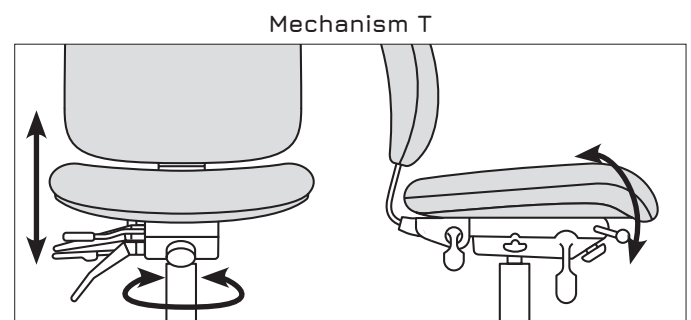
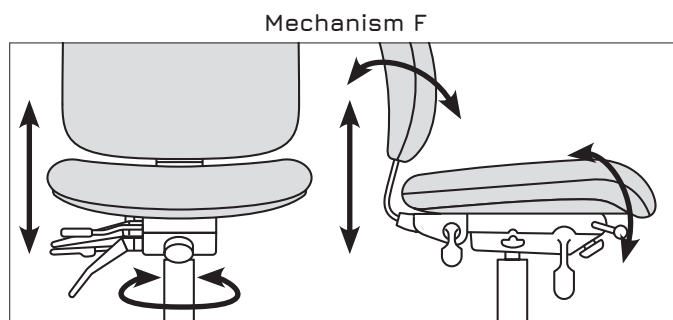


TECHNICAL SPECIFICATIONS

- Seats and backrests made of steel tubing with high resilience moulded foam and upholstered using the Suspension technique
- Black nylon resin or polished aluminum star base for ergonomic models with casters equipped with a dust protector
- Side-chair frames made of round metal tubing (7/8" Ø, 14 gauge), finished with sandex black paint or polished chrome
- Wide choice of upholstery material for effortless cleaning with immediate drying (Virox 5 cleanable)
- Optional sealed stitches for upholstered chairs to seal and protect against external contamination.

MECHANISMS

- F : Swivel, tilt, lock, seat height and backrest angle adjustment
- T : Swivel, tilt, 0° lock, seat height adjustment



ARMRESTS

- 01L : Adjustable in height, width, soft pad
- 27 : Fixed polyurethane, C shape
- 96 : Adjustable in height, width, depth, pivot, polyurethane pad
- 96G : Adjustable in height, width, depth, pivot, soft pad



3450, 1re Rue
St-Hubert (Québec) J3Y 8Y5 Canada
T 450.926.1004 / 800.663.6794
F 450.926.0013

adi-artdesign.com

ADI
ART DESIGN INTERNATIONAL