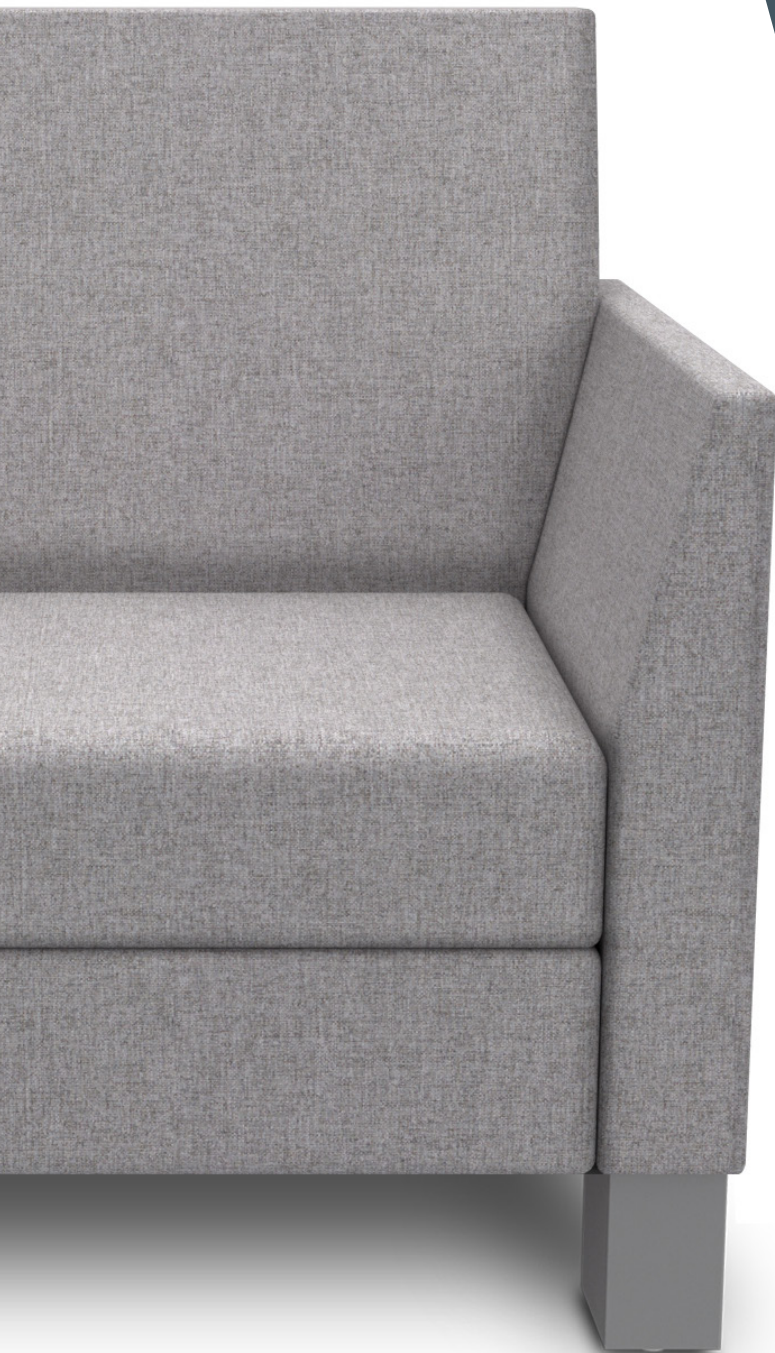


Maya

With a chic and comfortable look, the Maya premium office chair range is perfectly designed to elegantly dress up all meeting and collaboration areas. It will be enough for you to juxtapose a few one or two seat armchairs to embellish your entrance hall!

CLASS AND COMFORT



ADI

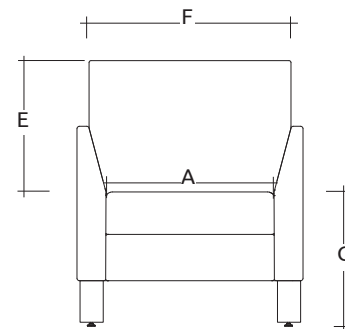
ERGONOMIC
EXECUTIVE
CONFERENCE ROOM
MULTI-PURPOSE
LOUNGE AND ✓
WAITING ROOM
INTENSIVE USE
BARIATRIC

TECHNICAL SPECIFICATIONS

- 3 models offered with the following configurations :
 - 1 seat armchair
 - 2 seat armchair
 - 3 seat armchair
- Seats and backrests made of plywood with high resilience polyurethane foam and upholstered using the Suspension technique
- Cylindrical, square or Y shaped 4-leg frames (except MY3), available in many finishes
- Options include ground fasteners, connecting elements to connect chairs quickly and easily as well as connectivity module with power and USB outlets



MY1
A : 24^{3/4}"
C : 18^{1/2}"
E : 18^{3/8}"
F : 29^{1/2}"



MY2
A : 47"
C : 18^{1/2}"
E : 18^{3/8}"
F : 51^{1/2}"



MY3
A : 69"
C : 18^{1/2}"
E : 18^{3/8}"
F : 73^{3/4}"



3450, 1re Rue
St-Hubert (Québec) J3Y 8Y5 Canada
T 450.926.1004 / 800.663.6794
F 450.926.0013

adi-artdesign.com

ADI
ART DESIGN INTERNATIONAL