

Connect

Creating a multitude of configurations for waiting areas, our Connect waiting room seat system is designed to accommodate a wide range of seating and armrests. Indeed, this flexibility makes it possible to develop public spaces in many different styles, including upholstered seats, mesh backs, knit backs, wood shells and even a variety of tables.

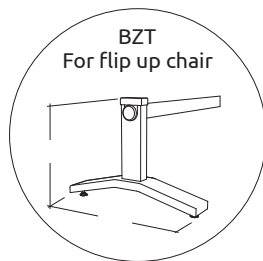
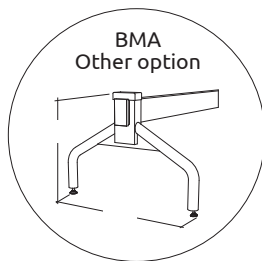
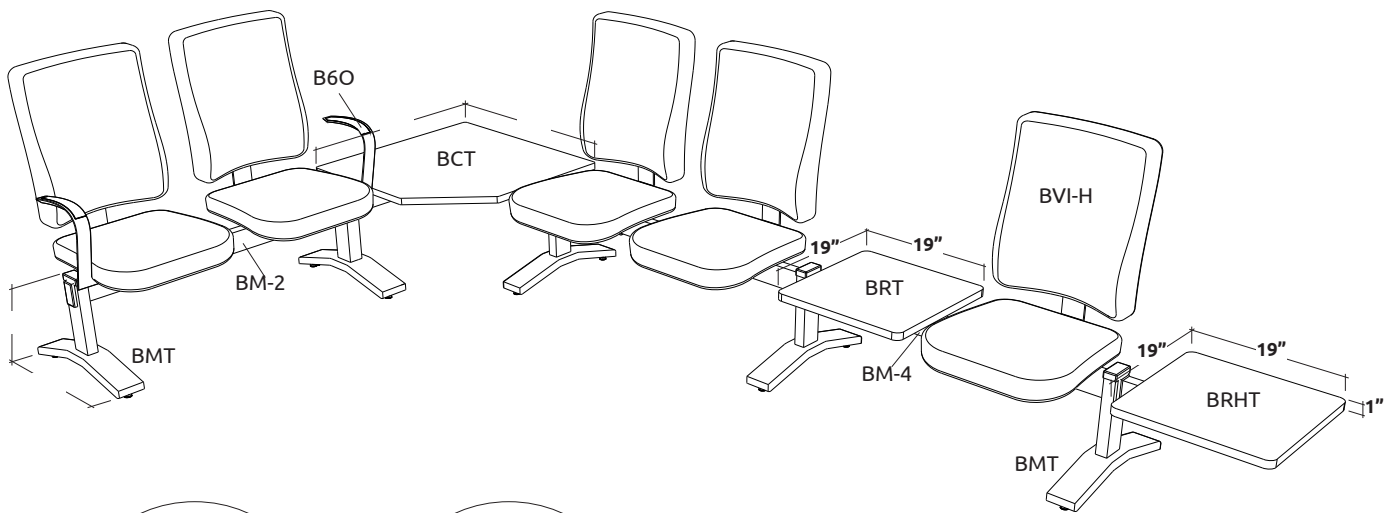
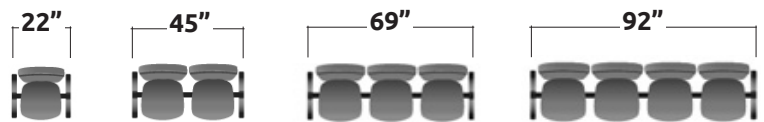
CREATE THE CONNECTION



- ERGONOMIC
- EXECUTIVE
- CONFERENCE ROOM
- MULTI-PURPOSE
- LOUNGE AND** ✓
- WAITING ROOM** ✓
- INTENSIVE USE** ✓
- BARIATRIC** ✓

TECHNICAL SPECIFICATIONS

- Innumerable configuration possibilities with :
 - 4 beam lengths for 1 to 4 seats
 - 4 beam lengths for 1 to 4 seats with 1 end or corner table
 - 4 beam lengths for 1 to 4 seats with 2 end or corner tables
 - 3 beam lengths for 1 to 3 for flip up chair (Zest)
 - 2 heavy duty beams lengths for 2 and 3 seats (capacities of 1000 lbs and 1500 lbs respectively)
- Wide choice of ergonomic and multi-purpose seats, as well as fixed armrests
- Tables with black or charcoal laminate surfaces (other colors on request)
- A or T legs, available in 2 heights suitable for upholstered seats or not, and available in many finishes
- Options include ground fasteners, connecting elements to connect chairs quickly and easily as well as connectivity module with power and USB outlets



3450, 1re Rue
St-Hubert (Québec) J3Y 8Y5 Canada
T 450.926.1004 / 800.663.6794
F 450.926.0013

adi-artdesign.com

