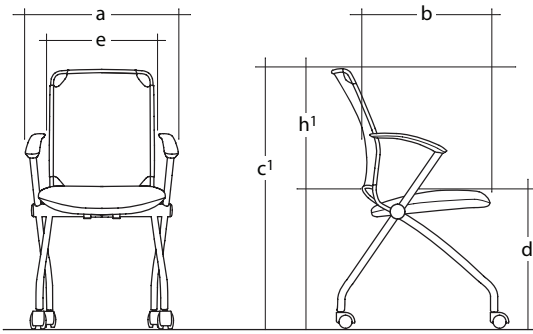


ZEST®



Dimensions

a : 23 ¹ / ₂ " (597 mm)	d : 18 ³ / ₄ " (476 mm)
b : 20" (508 mm)	e : 19 ³ / ₄ " (502 mm)
c1 : 35 ¹ / ₂ " (902 mm)	h1 : 17" (432 mm)

Specifications

The ZEST Series consists of nesting chairs and armchairs on four legged base with casters. There are two seats per package.

The four legged frames are made of 1" diameter (25mm) 14-gauge bent steel. The frame connects to the main center tube made of 2" (50 mm) 16-gauge steel. Circular plastic finishing caps are fitted at tube ends.

Armrest support on armchair is made of 1/4" (6 mm) steel bracket. The backrest is made of 3/8" diameter (16 mm) 14-gauge steel tube. A high resiliency colored polyester 3D knit is tensioned over the back frame and held firmly in place.

The flip up seat is made of 14-gauge tubular steel screwed to a 13-gauge flat steel hinge pivoting over the main tube.

The seat uses the patented A.D.I. "suspension" technique: a flexible woven plastic belt is slipped onto the frame and pulled taught. The belt is covered with fire retardant 1" thick (25 mm) foam, and a 1/2" thick (13 mm) sheet of higher density foam is inserted inside the seat.

Fabric or vinyl covers complete the upholstery and are neatly held in place with a zipper. The armrests are made of molded polypropylene.

Colors and finishes

The visible portions of the frame of the seat, is available in 6 colors (powder paint). The backrest knits are available in a choice of 8 different colors.



ART DESIGN INTERNATIONAL

3450, 1ÈRE RUE, ST-HUBERT (QUÉBEC), CANADA J3Y 8Y5
TEL. (450) 926-1004 1-800-663-6794 FAX (450) 926-0013 1-888-407-6435
e-mail : info@adi-artdesign.com

PRINTED IN CANADA