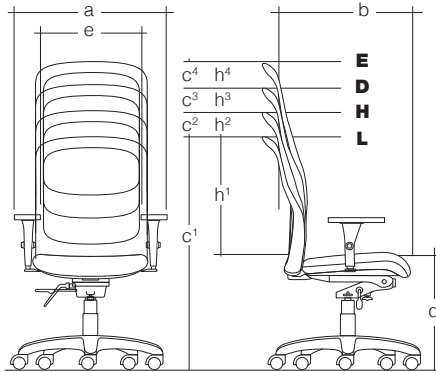


TACT



Dimensions

Models equipped with adjustable arms 96.

a : 24" (610 mm)	d : 18" (458 mm)
b : 26" (660 mm)	e* : 19 ¹ / ₂ " (495 mm)
c ¹ : 38" (965 mm)	h ¹ : 20" (508mm)
c ² : 40" (1016 mm)	h ² : 22" (560mm)
c ³ : 44" (1118 mm)	h ³ : 26" (660mm)
c ⁴ : 50" (1270 mm)	h ⁴ : 32" (813mm)

e* : distance between armrests

Width of seat : 20³/₄" (527 mm)

Models without arms on sleigh base:

Width: 22" (559 mm)

Depth: 23¹/₂" (597 mm)

Dimensions may vary depending on how the seat is adjusted and what type of material is used.

Specifications

The TACT SERIES offer several models of chairs and armchairs with three seat sizes and 4 backrest heights: low (L), high (H), director (D) and executive (E), models on sleigh base or on central base. The seat is built according to the A.D.I. patented "suspension" technique.

The seat is made of 5/8" diameter (16 mm) 14-gauge bent steel tubes. The seat frame includes two 3/16" thick (5 mm) steel plates welded to the tubes to which are fastened the armrests, the sleigh base when so equipped, and the 3/32" thick (2,3 mm) ribbed steel bridge required for the central base version.

The seat frame includes widthwise, when required, a 1/4" thick x 2" flat steel (6 x 50 mm) welded to the tube to which the fixed backrest support is fastened. This steel plate is not included on the seats of chairs which have an adjustable backrest.

The backrest frame is made of 14 gau 5/8" steel tubes, assembled together through 4 steel dowels at the top and bottom.

A 1/4" thick formed plate is welded to the frame and is fastened to the back bar. The back bar is made of 3" x 1/4" steel plate. All backrest parts are powder coated in black. A flexible woven plastic belt is slipped onto the seat frame and pulled taut. A high resiliency colored polyester knit is tensioned over the back frame and held firmly into place by a tension rod at the bottom of the steel frame. A foam shock absorber is inserted between the knit and the metal frame to protect the knit. All of the back frame is covered by the knit, no steel part but the backbar is visible.

The seat surface consists of a moulded cushion 2¹/₄" (57mm) of fire retardant urethane foam.

Fabric, vinyl or leather covers complete the seat upholstery and are held in place with zippers located under the seat. Polyester knits in a variety of colours are available for the backrest.

The adjustable arms (96) on central base models are attached to the seat with 1/4" screws through a 3/16" thick (5 mm) steel mounting plates over a nylon resin slide block in one of 2 possible positions. These arms are adjustable in height and width. The soft polyurethane arm pad pivots, and is adjustable in length and width.

Sleigh bases are made of 1" diameter (25 mm) 14-gauge tubular steel reinforced at the front lbows with 3/4" diameter (19 mm) 16-gauge steel tubes. They are fitted with four glides.

The sleigh base, mechanisms and arms are screwed under the seat.

All welds are the G.M.A.W type.

All models are equipped with a 25" diameter (635 mm) base with 5 nylon resin 2¹/₈" diameter (54 mm) hooded double-wheel casters. A cast aluminum base is available as an option.

Colors and finishes

Bases, casters, telescopic covers, backrest supports and seat mechanisms are finished in black. The sleigh base models with or without arms are available in black (standard) or in chrome.

Seat slider option

A spring loaded seat slider may be installed between the control and the seat. It provides an adjustment of +2" and -3/4" from the standard position.

Lumbar

A height adjustable lumbar support may be installed on the back.

Pillow

A gel foam pillow is available as an option on the executive (E) model.



ART DESIGN INTERNATIONAL

3450, 1ÈRE RUE, ST-HUBERT (QUÉBEC), CANADA J3Y 8Y5

TEL. (450) 926-1004 1-800-663-6794 FAX (450) 926-0013 1-888-407-6435

e-mail : info@adi-artdesign.com

PRINTED IN CANADA