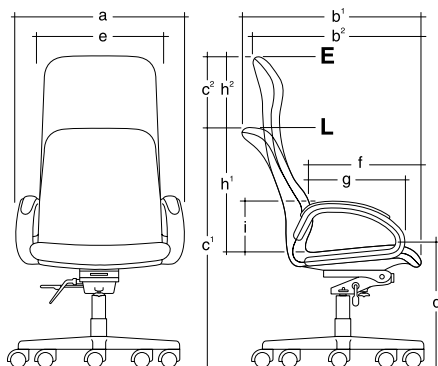


# SCORPIO®



## Dimensions

a : 27" (686 mm)	e* : 18 1/2" (470 mm)
b¹ : 30" (762 mm)	f : 19" (483 mm)
b² : 26" (660 mm)	g : 15" (381 mm)
c¹ : 38" (965 mm)	h¹ : 20" (500 mm)
c² : 48 1/2" (1232 mm)	h² : 30 1/2" (775 mm)
d : 18" (457 mm)	i : 8 1/2" (216 mm)

Width of the seat : 20" (508 mm)

Dimensions may vary depending on how the seat is adjusted and what type of material is used.

e\* : distance between armrests

## Specifications

The SCORPIO Series includes armchairs with Exec (E) or low backs (L) with open (10) or closed arms (12). The monopiece frame of the seating-back is made of 5/8" diameter (16 mm), 14-gauge bent tubes, reinforced at the joint by a 7/16" diameter (11 mm) round inner tube and two 5/8" diameter (16 mm) elbow tubes welded to the frame. A curved metal sheet 20-gauge is welded behind the seat to help maintain the shape. The steel platform is made of 3/16" thick (5 mm) bent and welded flat-steel. It is welded to the frame and connects the seat to the mechanism.

A canvas jacket on the frame is reinforced at the seat and lumbar levels by two woven plastic belts set in tension. Foam comfort strips are bonded to the frame at the head and lumbar levels, followed by a sheet of medium density 1 1/2"-thick (38 mm) polyurethane foam which has been treated with a fire retardant. A high density 1 1/2"-thick (13 mm) sheet of foam is inserted on the seat. The fabric (or leather) cover completes the upholstery. It is slipped over the frame and is held in place under the seat by zippers.

The arms are manufactured using the same technique and attached to the seat with 3/16"-thick (5 mm) steel plates screwed under the arms and platform. The arms are made of 1" diameter (25 mm) 16-gauge bent steel tubes fastened longitudinally together and welded to steel plates. They are covered with a sheet of 3/4"-thick (19 mm) fire retardant treated polyurethane foam and then the finishing cover. The appliqué on the top surface of the open arm is made of 16-gauge steel and a 3/16"-thick (5 mm) strip of foam rubber is glued to it. It is covered with the finishing material.

The appliqué is held in place by plastic fastenings.

All welds are the G.M.A.W. type.

The mechanisms are screwed under the seat.

The SCORPIO Series is equipped with the 25" diameter

(635 mm) nylon resin Shepherd «Ambassador» base, mounted on «Integra» 2 3/16" diameter (56 mm) hooded double-wheel casters. This base, which is guaranteed for 5 years, exceeds the ANSI/BIFMA standards.

SCORPIO seats use Northfield mechanisms and components and SUSPA® gas cylinders.

## Colors and finishes

All visible components are finished in black (-N).

The SCORPIO Series bases, casters, columns and mechanisms are finished in black -N. The code -N must appear immediately after the model number.

## Options

Black leather appliqués are available on open arms (10) models. To order this option add code -L after model number and + \$46 to the price.

A 25" diameter (635 mm) polished aluminum base on black 2 3/16" diameter (56 mm) hooded double-wheel casters is also available. To order this option add code -AL after model number and + \$55 to the price.

**C.O.M.:** refer to page 9.

## Sample orders

- SCORPIO, swivel-tilter armchair with knee tilt mechanism, rear tilt lock and gas cylinder, Exec back and open arms : **SC-E10KTG**
- optional polished aluminium base : **-AL**
- casters for hard surface : **-SW**
- Vienna fabric, Burgundy color : **-VIENNA 6023**

**• SC-E10KTG-AL-SW-VIENNA 6023**



ART DESIGN INTERNATIONAL

3450, 1ÈRE RUE, ST-HUBERT (QUÉBEC), CANADA J3Y 8Y5  
 TEL. (450) 926-1004 1-800-663-6794 FAX (450) 926-0013 1-888-407-6435  
 e-mail : info@adi-artdesign.com

PRINTED IN CANADA