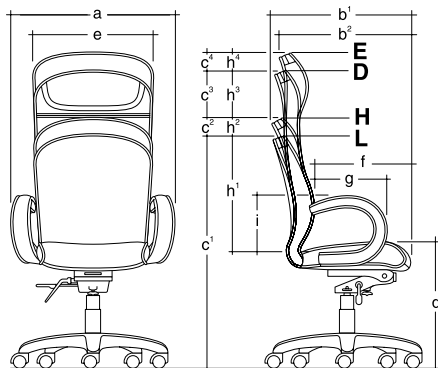


# MAGNUM



## Dimensions

a : 26" (660 mm)	e* : 19 1/2" (495 mm)
b <sup>1</sup> : 27" (686 mm)	f : 19" (483 mm)
b <sup>2</sup> : 25 1/2" (648 mm)	g : 13 1/2" (343 mm)
c <sup>1</sup> : 36" (915 mm)	h <sup>1</sup> : 18" (457 mm)
c <sup>2</sup> : 39" (990 mm)	h <sup>2</sup> : 21" (533 mm)
c <sup>3</sup> : 44" (1118 mm)	h <sup>3</sup> : 26" (660 mm)
c <sup>4</sup> : 48" (1219 mm)	h <sup>4</sup> : 30" (762 mm)
d : 18" (457 mm)	i : 8 1/2" (216 mm)

Width of the seat : 20" (508 mm)

Dimensions may vary depending on how the seat is adjusted and what type of material is used.

e\* : distance between armrests

## Specifications

The MAGNUM series offers several models of seats, chairs and armchairs, monoshell type, with four backrests heights: low (L), high (H), director (D) and Exec (E), all on central bases. Seats are built according to the A.D.I. patented "suspension" technique.

The seat and fixed back are made of 5/8" diameter (16 mm) 14-gauge bent steel tubes. The seat frame includes two 3/16" thick (5 mm) steel plates welded to the tubes to which are fastened the armrests and the 3/32" thick (2,3 mm) ribbed galvanized steel bridge required for the central base. Both seat and back frames include widthwise a 1/4" thick x 2" steel plate (6 x 50 mm) welded to the tube to which the backrest support is fastened. The hidden fixed backrest support consists of a 5/16" x 1 3/4" (7 x 45 mm) flexible steel blade screwed to the back and under the seat. It is strengthened by thermal treatment and finished in black. Thread cutting screws are used. Flexible woven plastic belts are slipped onto the frames and pulled taut. The backrest is equipped with foam comfort strips at the lumbar level, and covered with fire retardant 1 1/4" thick (32 mm) medium-density polyurethane foam.

The seat surface consists of a moulded cushion 1 3/4" (45 mm) of fire retardant urethane foam. An additional comfort foam 3/4" thick (19 mm) covers the molded cushion. The standard embossed upholstery pattern at the upper part of the director back may be removed on request.

Fabric or leather covers complete the upholstery and are held in place with zippers located on the back of the backrest and under the seat.

The open arms structure (24) have an inverted C shape

and are made of bent steel 2 1/4" x 1/4" thick (63 x 6 mm). A high density foam fills the inner part and a 3/4" thick (19 mm) comfort foam covers the outer part of the arm. The arms are attached to the seat by means of 3/16" thick (5 mm) steel plate (7 screws).

Fabric or leather covers with "piping" complete the upholstery and are held in place with hidden zippers located at the top of the backrests and under the seat and the arms.

All welds are the G.M.A.W type. The mechanisms are screwed under the seat. MAGNUM Series seats are equipped with Shepherd's «MARQUIS» 26" diameter (660 mm) nylon resin base mounted on «Integra» 2 3/16" diameter (56 mm) hooded double-wheel casters. The bases, guaranteed for 5 years, exceed the BIFMA/ANSI standards.

MAGNUM Series uses Northfield mechanisms and components and SUSPA® brand gas cylinders.

## Colors and finishes

All visible components are finished in black (-N).

A 25" diameter (635 mm) polished aluminum base on black 2 3/16" diameter (56 mm) hooded double-wheel casters is also available. To order this option add code **-AL** after model number and + \$55 to the price.

**C.O.M.:** refer to page 9.

## Sample order

- MAGNUM Series, swivel-tilter armchair with gas cylinder, director backrest and standard arms : **MG-D24TG**
- black base : **-N**
- A.D.I. black leather : **-SA 327**



ART DESIGN INTERNATIONAL

3450, 1ÈRE RUE, ST-HUBERT (QUÉBEC), CANADA J3Y 8Y5  
 TEL. (450) 926-1004 1-800-663-6794 FAX (450) 926-0013 1-888-407-6435  
 e-mail : info@adi-artdesign.com

PRINTED IN CANADA