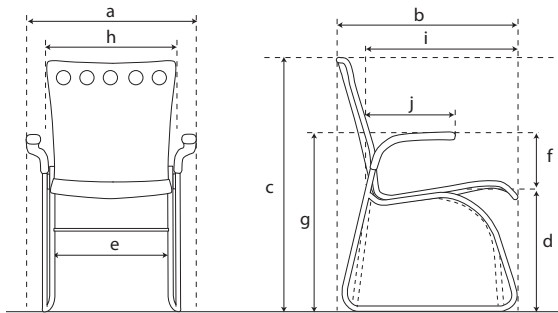


GOLF



Dimensions

Chairs GO-2 and GO-4

a : 19½" (495 mm)	e : 19¼" (502 mm)
b : 23¾" (603 mm)	h : 16½" (420 mm)
c : 31½" (800 mm)	i : 18½" (470 mm)
d : 17½" (445 mm)	

Armchairs GO-252 and GO-452

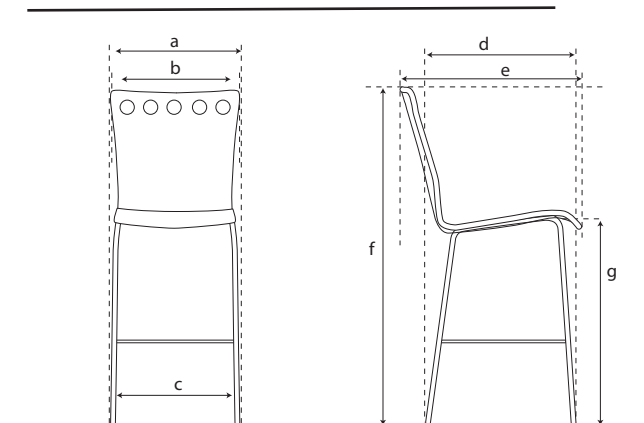
a : 22¼" (495 mm)	f : 7¾" (197 mm)
b : 23¾" (603 mm)	g : 25" (635 mm)
c : 31½" (800 mm)	h : 16½" (420 mm)
d : 17½" (445 mm)	i : 18½" (470 mm)
e : 19¼" (502 mm)	j : 9½" (241 mm)

Handling grip opening :
6½" x 1¼" (162 x 32 mm)

Dolly

21½ x 27" x 23½" H. (546 x 686 x 597 mm)

Dolly with 20 chairs
Total height : 62" (1575mm)
Depth : 38" (965mm)



Dimensions

GO-8 Low Back Stool (bar height)

a : 19½" (439 mm)	e : 17½" (394 mm)
b : 16" (360 mm)	f : 36" (915mm)
c : 18" (405 mm)	g : 30" (762mm)
d : 18½" (416 mm)	

Specifications

The GOLF Series consists of a stackable chair and armchair with a seat-back shell of moulded plywood, featuring a sleigh or four legged base, counter height and bar height stools, chairs with a retractable, flip-up writing tablet and dolly.

Seats may be joined by means of PVC connectors.

The sleigh base and four legged frames are made of ¾" diameter (19 mm) 14 gauge bent steel. Black plastic weld covers are fitted at structural joints and semi-spherical finishing caps at tube ends.

Armrest support on armchair is part of the frame and is reinforced with a 9/16" diameter (14 mm) steel rod. The front crosspiece is made of 7/16" diameter (11 mm) steel rod. A 3/16" (5mm) thick steel plate is welded to both sides of the frame.

The sleigh base is fitted with four nylon glides and the four legs with swivel head metal glides. Protective nylon glides may be installed over the metal glides.

The shell is made of 7/16" thick (11 mm) moulded plywood (7-ply hard-wood, curved and bonded at high frequency). In the case of laminate option, a laminate sheet is applied over the plywood on both faces of the shell.

The edges have been lightly sanded and the shell has been finished with filler, followed by light sanding and a clear "post-catalysed" lacquer. The standard finish is light maple. A laminate may be applied as an option on all surfaces.

The plywood shell is fastened to the two seat rails from the bottom by means of 8 screws in order to form a neat, solid whole. Protective bumpers are installed on the underside of the two seat cross members, for stacking.

The retractable flip-up and removable writing tablet is made of ¾" thick mdf (19mm) covered with a black high-pressure laminate on both sides. It is attached to a hinge welded to the ¾" diameter (19 mm) 14-gauge steel tube. Not available on stools.

The armrests are covered with 1½" diameter (28 mm) sleeves of black high-density polyurethane. Not available on stools.

Colours and finishes

The shells are available in 6 colours : maple, honey beech, cherry, mahogany, walnut and dark walnut. The frame is available in chrome, brushed chrome, black, sandy black, chrome, silver grey, dark grey, light grey and beige.



ART DESIGN INTERNATIONAL

3450, 1ÈRE RUE, ST-HUBERT (QUÉBEC), CANADA J3Y 8Y5
TEL. (450) 926-1004 1-800-663-6794 FAX (450) 926-0013 1-888-407-6435
e-mail : info@adi-artdesign.com

PRINTED IN CANADA