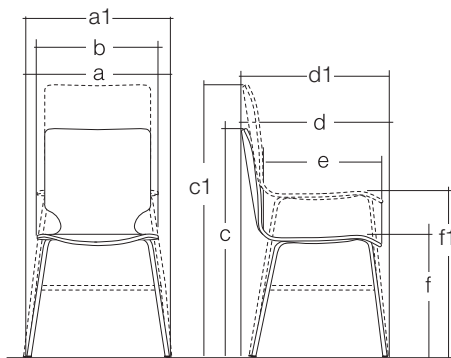


CAMELIA



Dimensions

Chair

a : 19¼" (499 mm) d : 21½" (546 mm)
b : 18¼" (464 mm) e : 18" (457 mm)
c : 32" (813 mm) f : 18" (457 mm)

Stool - Bar Height

a1 : 22¾" (512 mm) d1 : 22½" (1134 mm)
c1 : 44" (1110 mm) f1 : 30" (756 mm)

Stool - Counter Height

a1 : 22" (555mm) d1 : 22¼" (560 mm)
c1 : 38" (958mm) f1 : 24" (605mm)

Dolly

21½ x 27" x 23½" H. (546 x 686 x 597 mm)

Dolly with 20 chairs

Total height : 62" (1575mm)
Depth: 38" (965mm)

Specifications

The Camelia Series consists of a stackable chair with four legged base made of tubular steel, and a seat-back shell of moulded plywood. The series also includes a counter height and bar height stools.

The four legged frames are made of ⅝" diameter (16 mm) 14 gauge bent steel. The base is equipped with 4 metal swivel head glides. Protective teflon cap can be installed over the glides.

The seat-back shell is made of 7/16" thick (11 mm) moulded plywood (7-ply hard-wood, curved and bonded at high frequency). The edges have been lightly sanded and the seat-back has been finished with filler, followed by light sanding and a clear "post-catalysed" lacquer. The standard finish is light beech. In the case of laminate option, a laminate sheet is applied over the plywood on both faces of the shell.

Cushions can be installed over the shell seat. They are made of ¾" thick (13 mm) foam wrapped over a plywood shell and a fabric cover is string-attached to the assembly.

The plywood shell is fastened to the two seat rails from the bottom by means of 8 screws in order to form a neat, solid whole. Protective bumpers are installed on the underside of the two seat cross members, for stacking.

The Camelia is rated at 250 lbs.

Colours and finishes

The shells are available in 6 colours: maple, honey beech, cherry, mahogany, walnut and dark walnut. The frame is available in chrome, brushed chrome, black, sandy black, chrome, silver grey, dark grey, light grey and beige.

