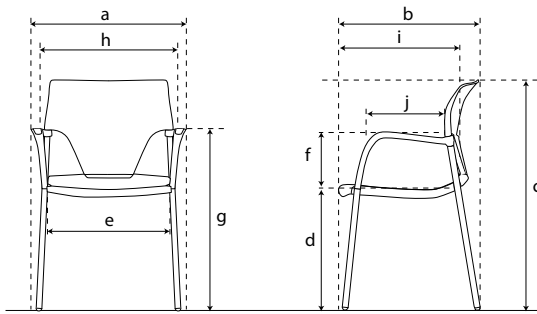


ARRIVA



Dimensions

a : 23" (580 mm) f : 8³/₄" (219 mm)
 b : 21" (530 mm) g : 26¹/₄" (666 mm)
 c : 33¹/₂" (850 mm) h : 19¹/₂" (500 mm)
 d : 17¹/₂" (447 mm) i : 16¹/₂" (416 mm)
 e : 16" (403 mm) j : 11¹/₂" (290 mm)

c : Counter height stool : 39¹/₂" (1003 mm)
 c : Bar height stool : 45¹/₂" (1156 mm)

Dolly

21¹/₂ x 27" x 23¹/₂" H. (546 x 686 x 597 mm)

Dolly with 7 chairs
 Total height : 44" (1118mm)
 Depth: 38" (965mm)



Specifications

The ARRIVA Series consists of chairs and armchairs on four legged base, with or without casters, counter and bar height stools. The chairs may be ganged together with field installable black powder metal brackets under the seat.

The frames are made of 7/8" diameter (22 mm) 16 gauge bent steel. The seat and back are made of moulded polypropylene, average thickness of 3/16" (5 mm). The back is laterally inserted over the frame and attached with a screw. A polypropylene back cover 1/8" thick (4 mm) is clipped to the back. The seat is positioned over the frame and a polypropylene under seat 1/8" thick (4 mm) is screwed to the seat through 8 positions. The under seat covers all of the surface below the seat.

Armrests are made of moulded polypropylene. They are inserted in the front and back tubes and retained with screws. Left or right pivoting and retractable writing tablets, may be installed.

The base is equipped with 4 metal swivel head glides. Protective teflon cap can be installed over the glides. 45mm casters are available as an option.

Cushions can be installed over the polypropylene seat and back. They are made of 3/4" thick (19 mm) foam wrapped over a polypropylene shell and a fabric cover is string-attached to the assembly.

4 clear polypropylene bumpers are installed under the seat for protection when the chairs are stacked, without a seat cushion. Chairs with seat cushion are not stackable

The steel dolly can accommodate 7 chairs and armchairs (2 pivoting and 2 fixed casters of 4" diameter (100 mm)). It is finished in black powder paint.

Colours and finishes

The shells and are available in 3 colours : black, dark grey and white. Arms are offered in 3 colours : black, dark grey and light grey. The frame is available in chrome, brushed chrome, black, sandy black, chrome, silver grey, dark grey, light grey and beige.

5 prong base version

The frame is built with the same components and is welded to the 12 gauge (2,7mm) ribbed steel bridge required for the central base. Finishes remain the same.



ART DESIGN INTERNATIONAL

3450, 1ÈRE RUE, ST-HUBERT (QUÉBEC), CANADA J3Y 8Y5
 TEL. (450) 926-1004 1-800-663-6794 FAX (450) 926-0013 1-888-407-6435
 e-mail : info@adi-artdesign.com

PRINTED IN CANADA