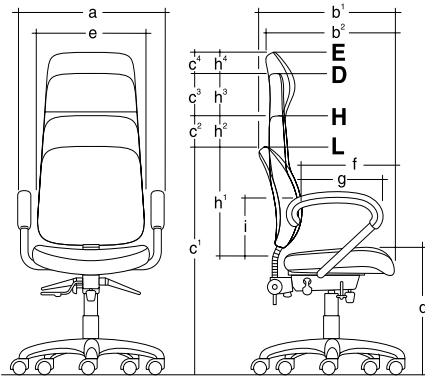


ART DECO



Dimensions

Models equipped with standard arms 70.

a : 23 ¹ / ₂ " (597 mm)	f : 17 ¹ / ₂ " (445 mm)
b ¹ : 24 ¹ / ₂ " (622 mm)	g : 13" (330 mm)
b ² : 23 ³ / ₄ " (603 mm)	h ¹ : 16" (406 mm)
c ¹ : 33 ¹ / ₂ " (850 mm)	h ² : 21" (533 mm)
c ² : 38 ¹ / ₂ " (980 mm)	h ³ : 27" (686 mm)
c ³ : 45" (1140 mm)	h ⁴ : 30" (762 mm)
c ⁴ : 48" (1220 mm)	i : 8 ¹ / ₂ " (216 mm)
d : 18" (458 mm)	
e* : 19" (483 mm)	

e* : distance between armrests

Width and depth of seat :

Regular seat : 20" x 19" (508x483mm)
Large seat : 21" x 20" (533x508mm)
Small seat : 19" x 18" (483x457mm)
Extra small seat : 17" x 17" (432x432mm)

Models without arms on sleigh base:

Width: 22" (559 mm)
Depth: 23 ¹ / ₂ " (597 mm)

Dimensions may vary depending on how the seat is adjusted and what type of material is used.

Specifications

The ART DECO Series offers several models of seats, chairs and armchairs with four backrest heights: low (L), high (H), director (D) and Exec (E), models on sleigh base or on central base, and stools. They are built according to the A.D.I. patented "suspension" technique.

The seat and back are made of 5/8" diameter (16 mm) 14-gauge bent steel tubes. The seat frame includes two 3/16" thick (5 mm) steel plates welded to the tubes to which are fastened the armrests, the sleigh base and the 12 gauge (2,7mm) ribbed steel bridge required for the central base.

The back frame includes widthwise a 1/4" thick x 2" flat steel (6 x 50 mm) welded to the tube to which the backrest support is fastened. This steel plate is also included on the seat frames of chairs which have a fixed backrest.

The fixed and adjustable backrest support consists of a 1/4" x 3" (6 x 76mm) high strength (HSLA) steel blade. The fixed support is screwed to the backrest and under the seat and the adjustable support is screwed to the backrest and attached to the mechanism. Self tapping screws are used.

Flexible woven plastic belts are slipped onto the frames and pulled taut. The backrest, with foam comfort strips at the lumbar level, is covered with fire retardant 1 1/4" thick (32 mm) medium-density polyurethane foam. The rear and the front of the backrest is covered with 1 1/4" thick (25 mm) foam. The seat surface consists of a moulded cushion 2" (50mm) of fire retardant urethane foam.

Fabric, vinyl or leather covers complete the upholstery and are held in place with zippers located along the bottom edge of the backrest and under the seat.

Sleigh bases are made 1" diameter (25 mm) 14-gauge tubular steel reinforced at the front elbows with 3/4" diameter (19 mm) 16-gauge steel tubes. They are fitted with four glides.

The sleigh base, mechanisms and arms are screwed under the seat.

All wells are the G.M.A.W type.

Models with the director and Exec high-back are equipped a 26" (660mm) nylon resin base. All other are equipped with the 24" (610mm) diameter nylon resin base. All are mounted on 2 1/8" diameter (55 mm) hooded double-wheel casters.

ART DECO chairs meet the BIFMA/ANSI x5.1 2002 standards and are Greenguard certified.



ART DESIGN INTERNATIONAL

3450, 1ÈRE RUE, ST-HUBERT (QUÉBEC), CANADA J3Y 8Y5
 TEL. (450) 926-1004 1-800-663-6794 FAX (450) 926-0013 1-888-407-6435
 e-mail : info@adi-artdesign.com

PRINTED IN CANADA